

Catalog Number	
Notes	Type

HDX Series

Hazardous Locations



Description

The HDX is an innovative LED exit sign series ideally used in hazardous environments where explosives may be present. In emergency mode, the LED sign stays illuminated to assist in safe egress.

Optics

- Uses a maintenance-free 3 watt LED source with a typical life expectancy of 25 years.
- Includes red or green lettering on acrylic edge lit panel, single or double face.
- White or other color LED circuit boards and panels available.

Electrical

- Solid-state electronic circuitry
- 120/277 VAC 60Hz dual voltage input
- 220-240 VAC 50/60 Hz input

Battery

- 3-hour sustained emergency operation with sealed nickel-cadmium battery backup providing full light output.

Mechanical

- Body: A356T6 aluminum (less than .4% copper content) with baked-on epoxy powder coat finish.
- Gasket: One-piece silicone
- Sign: Acrylic
- Hardware: Stainless steel

Installation

- Wall Mounting: Ships standard with wall mount plate which allows flush installation to the wall.
- Pendant Mounting: Ships standard with (3) 1/2" NPT hubs.
- End Mount Bracket: Optional end mount bracket is available to mount sign perpendicular to the wall.

Listings

- UL844 (see matrix on page 2):
Class 1, Division 1, Group C & D
Class 1, Division 2, Group A, B, C & D
Class 2, Division 1 & 2, Group E, F & G
Class 3
Simultaneous Presence Class 1 & 2
- IP 65
- UL1598A - Marine Outside Type
- UL924 - Emergency Lighting
- UL1598 - Wet Locations

Warranty

5-year limited warranty. Complete warranty terms located at: www.acuitybrands.com/support/warranty/terms-and-conditions

Note: Actual performance may differ as a result of end-user environment and application. All values are design or typical values, measured under laboratory conditions at 25 °C.

Typical Applications

- Coal & Dust Storage
- Petroleum Refineries
- Ethanol Facilities
- Waste Water & Water Treatment Plants
- Chemical Plants
- Power Generation Plants
- Food Processing (Confectionary)
- Marine Outdoor

Dimensions: Inches (millimeters) unless otherwise noted.

Length: 14.88 (378)
Width: 3.69 (93.7)
Height: 16 (406.4)
Weight: 15 lbs. (6.8kg)



ORDERING INFORMATION

Example: HDXE 1 R 120/277 EL PW

Series	Number of Faces	Legend Color	Voltage	Emergency Option	Mounting	Legends
HDXE Hazardous exit sign	1 Single face 2 Double face	G Green R Red	120/277 120/277V 60Hz SVOLT 220-277V 60Hz ‡	(blank) AC Only EL Emergency Battery Backup, Ni-Cad	EMK End Mount Bracket PW Wall and pendant	SAL Custom Signage: SALIDA ‡

Series	Number of Faces	Legend Color	Voltage	Emergency Option	Mounting	Legends
HDXS Hazardous running man signage ‡	1 Single face 2 Double face	G Green R Red	120/277 120/277V 60Hz SVOLT 220-277V 60Hz ‡	(blank) AC Only EL Emergency Battery Backup, Ni-Cad	EMK End Mount Bracket PW Wall and pendant	RMS Custom Signage: Running Man ‡

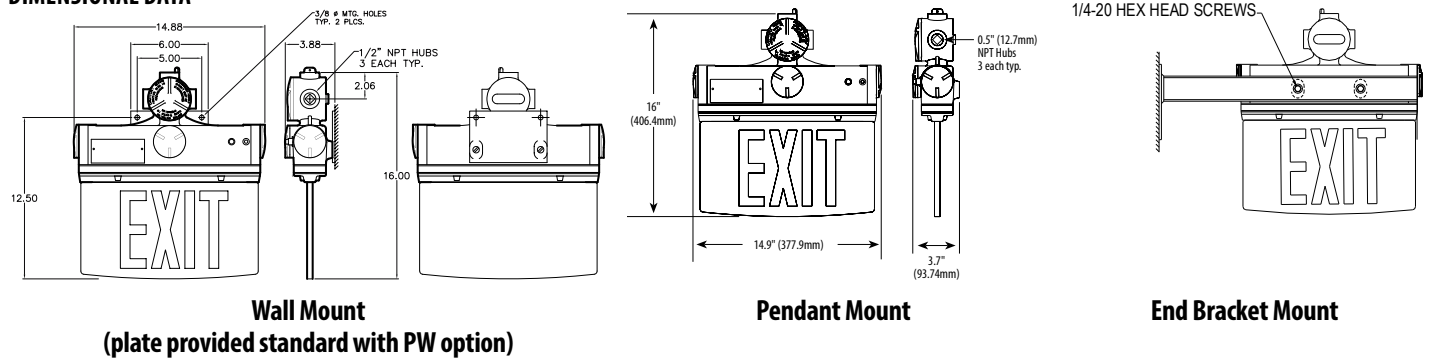
‡ Option Value Ordering Restrictions

Option value	Restriction
HDXS, SAL	Available by special order only.
RMS, SAL, SVOLT	Non-UL listed.

HDX Series

Hazardous Locations

DIMENSIONAL DATA



OPERATIONAL DATA

Operational Data - Electrical

Type	Typical LED Life	Supply Voltage	Max Input Power	Max Amperage
Red (AC only)	25 years	120	1.5 Watts	.0125 A
Red (AC only)	25 years	277	1.5 Watts	.0054 A
Red (AC only)	25 years	220	1.5 Watts	.0068 A
Red (AC only)	25 years	240	1.5 Watts	.0063 A
Red (EL Option)	25 years	120	2.5 Watts	.0208 A
Red (EL Option)	25 years	277	2.5 Watts	.009 A
Red (EL Option)	25 years	220	2.5 Watts	.0113 A
Red (EL Option)	25 years	240	2.5 Watts	.0104 A
Green (AC only)	25 years	120	2.3 Watts	.0192 A
Green (AC only)	25 years	277	2.3 Watts	.0083 A
Green (AC only)	25 years	220	2.3 Watts	.0096 A
Green (AC only)	25 years	240	2.3 Watts	.0096 A
Green (EL Option)	25 years	120	3.0 Watts	.025 A
Green (EL Option)	25 years	277	3.0 Watts	.0108 A
Green (EL Option)	25 years	220	3.0 Watts	.0136 A
Green (EL Option)	25 years	240	3.0 Watts	.0125 A

Operational Data - Battery

Type	Typical Shelf Life	Typical Life	Voltage	Amperage
NICAD	7 yrs	7yrs	4.8V	600mA

Operational Data - Temperature

Type	Min	Max	T-Code
Red Legend (AC or EL)	10°C (50°F)	55°C (131°F)	T6
Green Legend (AC or EL)	10°C (50°F)	40°C (104°F)	T6